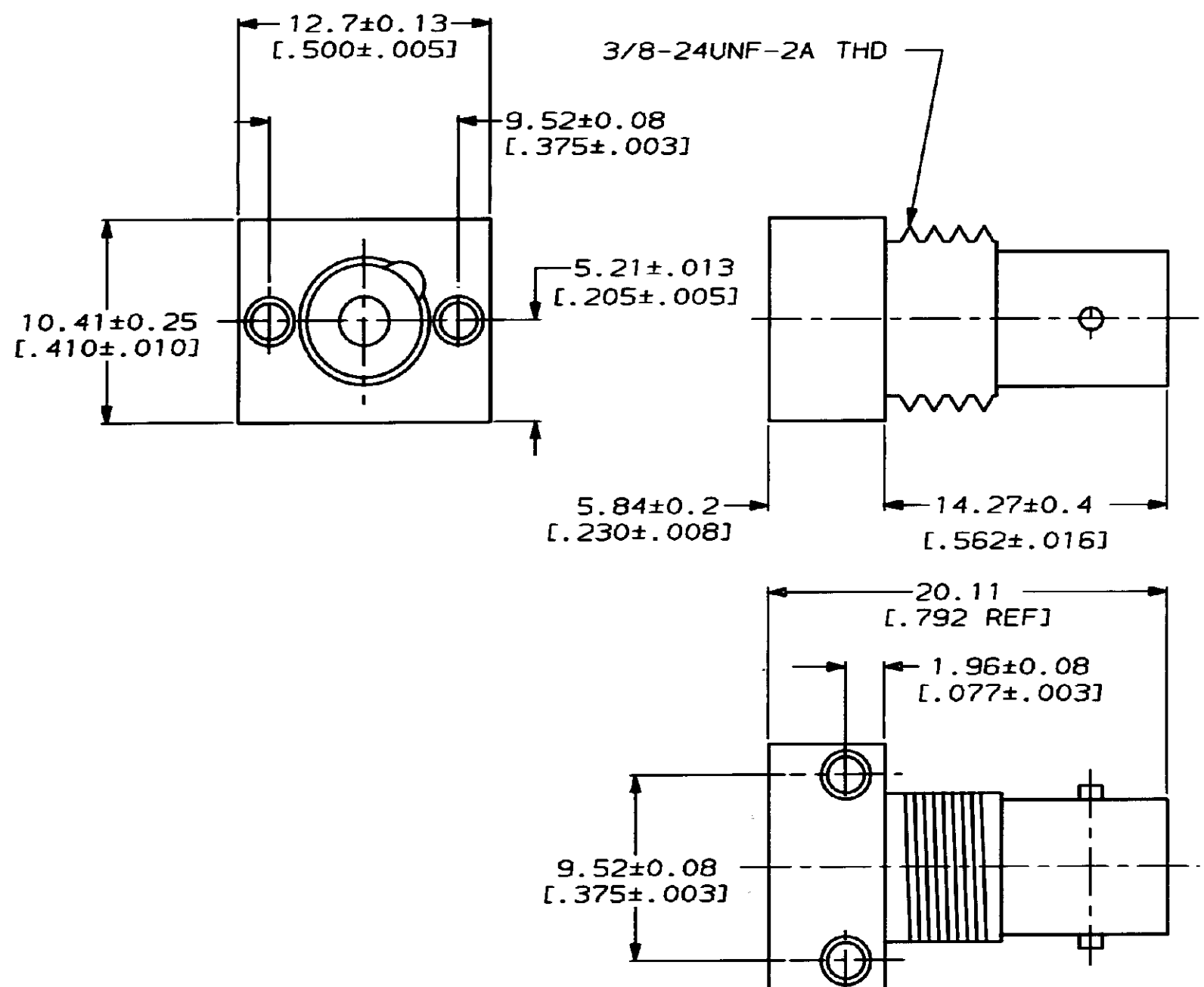


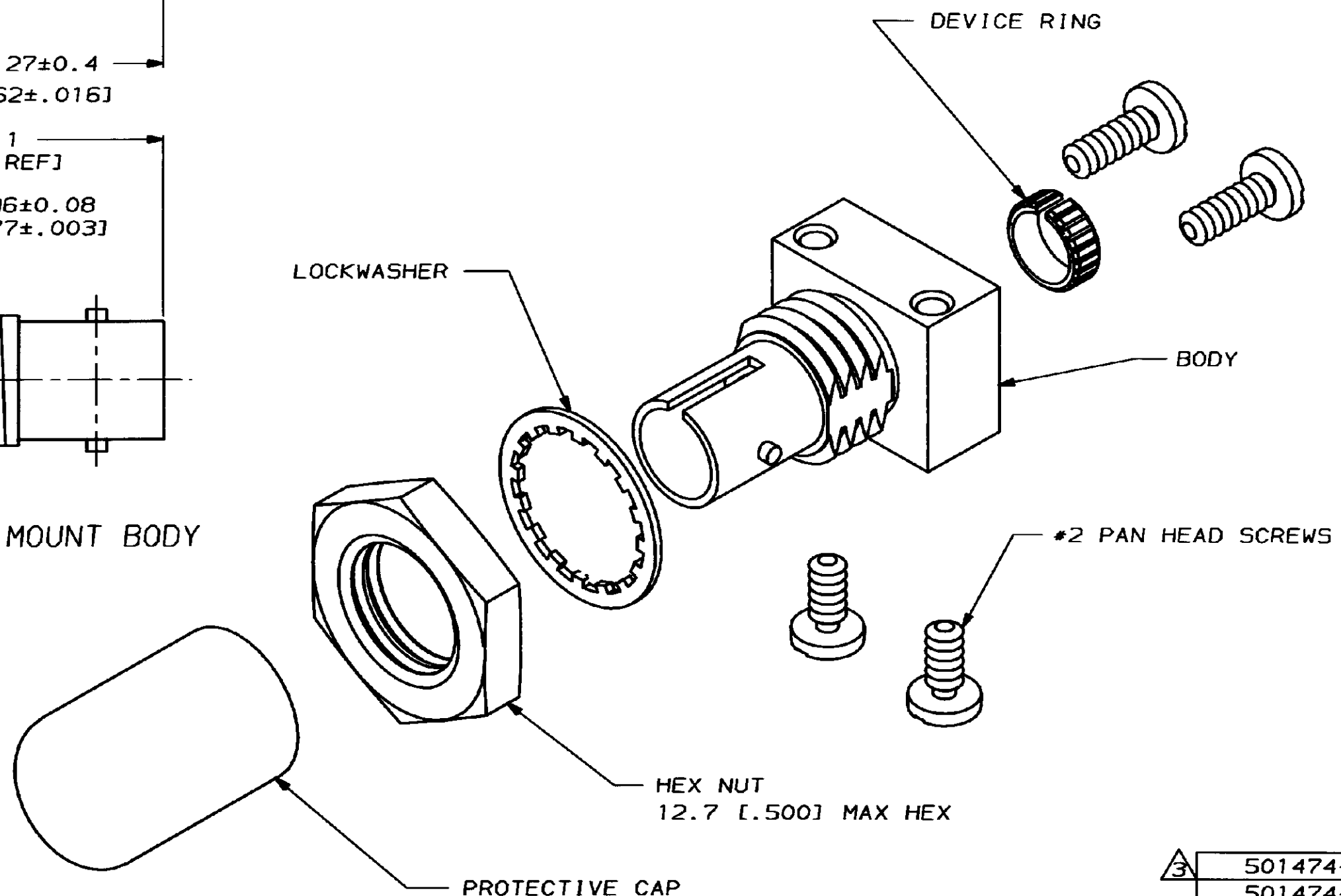
DRAWING MADE IN THIRD ANGLE PROJECTION

THIS DRAWING IS UNPUBLISHED. RELEASED FOR PUBLICATION, 19
 © COPYRIGHT 19 BY AMP INCORPORATED. ALL INTERNATIONAL RIGHTS RESERVED.

LOC	DIST	P	F	ZONE	LTR	DESCRIPTION	DATE	APPD
CE	16							
					A	REDRAWN PER CE-1231	5-5-88	CE/AP
					B	ADDED -2 PER NPR 89-133	7-25-89	RH/MP
					C	REV PER CE-1907	2-28-90	RH/MP



ACTIVE DEVICE MOUNT BODY



1. DIMENSIONS IN [] ARE IN INCHES.
 2. ACCEPTS ACTIVE DEVICES, TO-52, TO-18, TO-46, OR LOW COST HONEYWELL SWEETSPOT.
- ▲ BULK PACKAGED.

METRIC

DO NOT SCALE PRINT. UNLESS SPECIFIED DIMENSIONS IN mm TOLERANCES ON: 2 PLC DEC ± 3 PLC DEC ± ANGLES ±	DR C. EISENHOUR 5-5-88	AMP AMP INCORPORATED Morgantown, Pa. 17105	NAME ACTIVE DEVICE MOUNT KIT, 2.5mm BAYONET, OPTIMATE
	CHK J. ZEIDERS 5-6-88		
MATERIAL ADM BODY: ZINC	APPD A. PLOTTS 5-6-88	SIZE C	DRAWING NO 501474
	APPD K. MONROE 5-6-88		
FINISH ADM BODY: NICKEL	PRODUCT SPEC	FSCM NO 00779	SHEET 1 OF 1
	APPLICATION SPEC	SCALE 4:1	
	WEIGHT		

▲	501474-2
	501474-1
	PART NUMBER

CUSTOMER DRAWING

501474

A